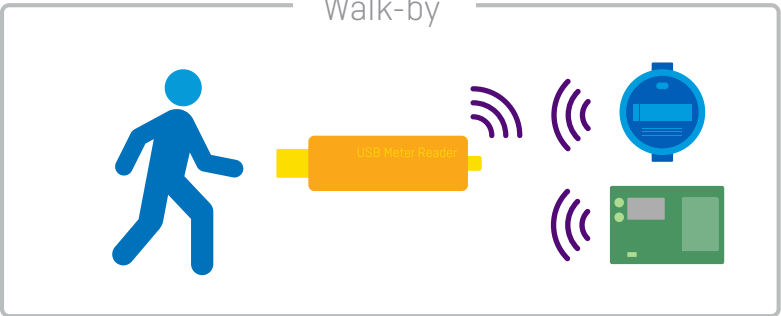
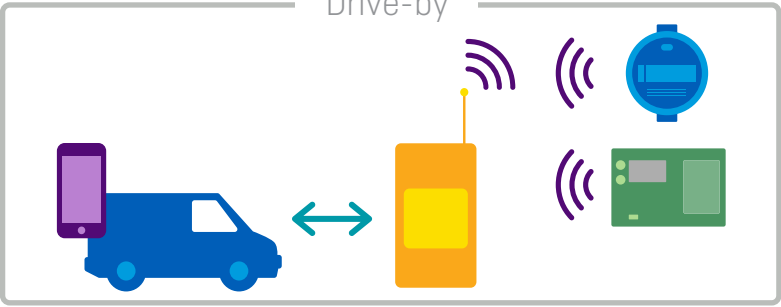
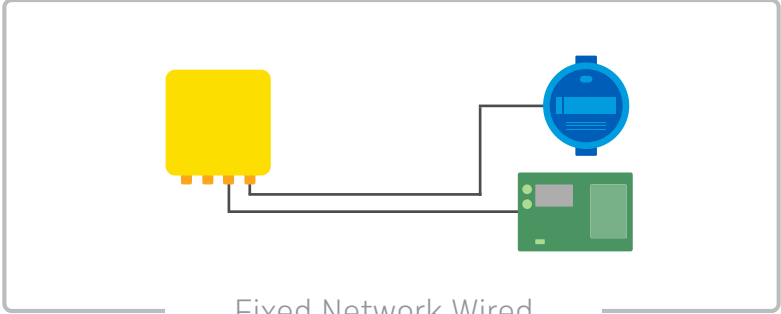
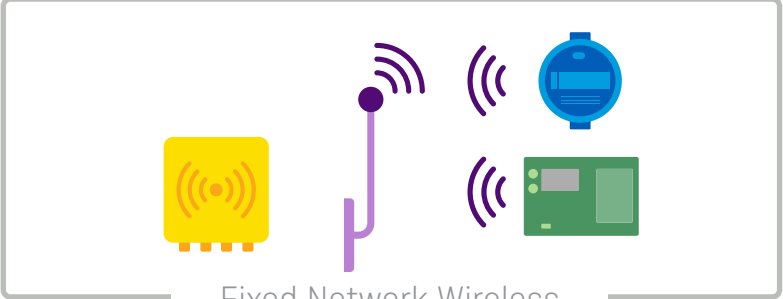


Meter Reading Systems



Meter Reading Solutions



	USB Meter Reader	READY	BMS integration
	User-friendly, low budget, basic reading system	User-friendly yet powerful reading system	Building Management Systems
Meters	Heat, cooling, water, electricity	Water, heat, cooling, pressure sensor	Water, heat, cooling, electricity
System size	Small systems	Small to large systems	N/A
Reading technologies	M-Bus, Wireless M-Bus, Kamstrup Radio 434 MHz	Wireless M-Bus/M-Bus	M-Bus, BACnet, Lon, N2, ModBus
Reading methods:			
Walk-by/drive-by	Yes	Yes	
Fixed network	Yes	Yes	Yes
Point-to-point	No	No	Yes
Reading interval for fixed network	User-controlled	Daily/hourly	Very limited, depending on BMS
Deployment methods	Local PC installation	Local installation, Kamstrup hosted	Local installation
Feature update interval	Medium	High	Low
Security	Medium to high	High	Low